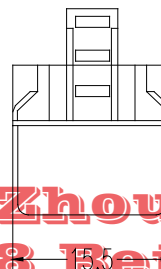
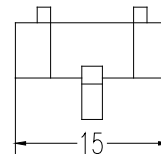
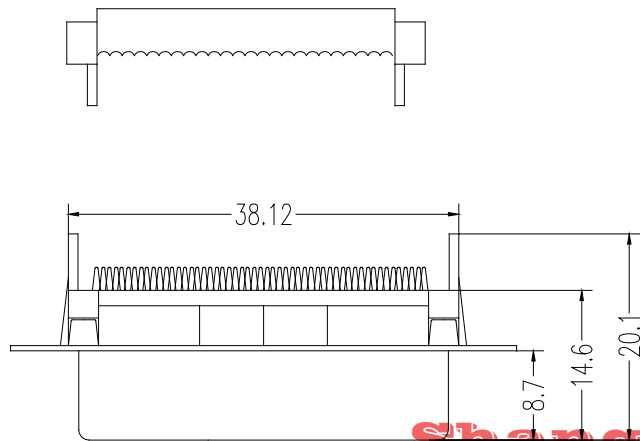
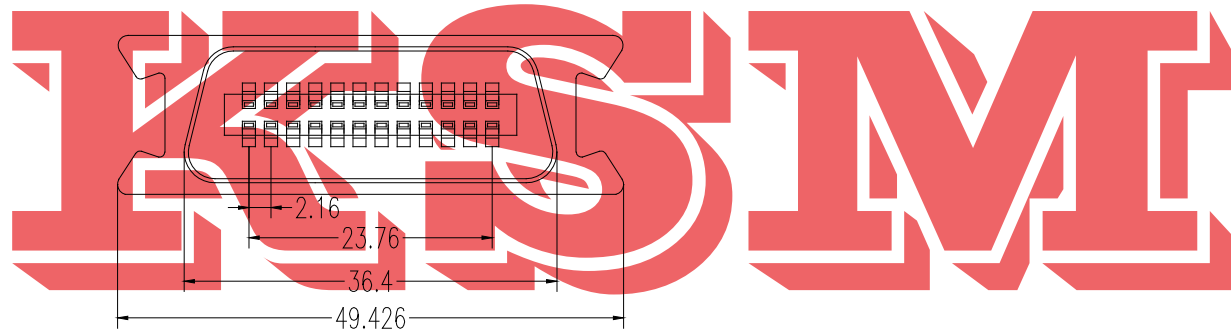


MARK	PLACES	ZONE	ECN	DATE



NOTE
MATERIAL
INSULATOR: PBT +30%GF
CONTACTS:BRASS
SHELL: SPCD
CONTACT PLATING: GOLD PLATING OVER NICKEL
ELECTRICAL SPECIFICATION
CURRENT RATING: 3A;
VOLTAGE RATING: 40V;
CONTACT RESISTANCE: 20mΩ MAX.
INSULATION RESISTANCE:3000MΩ MIN 500V DC.
DIELECTRIC WITHSTANDING VOLTAGE:1000V AC.
ENVIRONMENTA
OPERRATING TEMPERATURE: -50℃~105℃.

Shanghai ZhouRi Electronics.,CO.Ltd.

Add:No.668 Beijing East Road

Tel:86-21-51571121 53085565

Fax:86-21-51571120

Http:www.ksmchina.com

E-mail:zhouri119110163.com

UNLESS OTHERWISE SPECIFIED		TOLERANCE		57F30240压排式		上海洲日电子有限公司	
DIMENSION	DECIMAL	ANGLE	MODEL NO.	57	Shanghai ZhuoRi Electronics CO.,LTD.		
X.X	±0.3	±0.5°	DWG. NO.	ZR-57-022	MATERIAL	FINISH	
X.XX	±0.2		DESIGNED	Item NO.	COLOR	QUANTITY	
X.XXX	±0.1		CHECKED	REV.	A	SCALE	1:1
X.XXXX	±0.05		APPROVED	THE THIRD ANGLE PROJECTION		UNIT	mm
						SIZE	A4
						SHEET	OF
						PAGES	